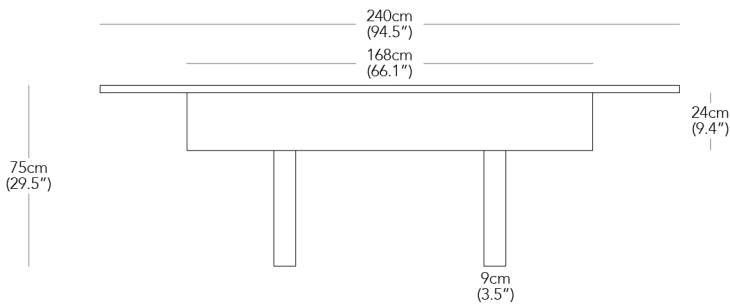


Resident

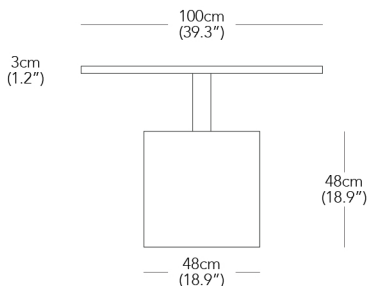
Plane Dining Table



DESIGNER
Jamie McLellan / 2022

PRODUCT DESCRIPTION
Dining Table

PRODUCT CODE
PLA001N - Plane Dining Table Rectangle, Natural
PLA001U - Plane Dining Table Rectangle, Umber



* Components drawn in relative scale. Refer to CAD files for accurate drawings.

MATERIALS
Solid Oak

COLOUR OPTIONS
Natural Oak
Umber Stained Oak

PRODUCT ENVIRONMENT
Indoor Use Only

APPROPRIATE FOR HARD CONTRACT USE
Yes

WARRANTY
3 Years

PACKAGED DIMENSIONS
2 Boxes Per Table

W	D	H	Box 1 (Top)
250	x	120	0.33 m ³
98.4	x	43.3	11.7 ft ³
W	D	H	Box 2 (Legs)
180	x	96	0.28 m ³
70.9	x	37.8	9.8 ft ³

PACKAGED WEIGHT	Combined
Box 1 (Top)	145 kg
80 kg	320 lbs
176 lbs	
Box 2 (Legs)	
65 kg	
143 lbs	

PRODUCT WEIGHT
130 kg
286 lbs

COUNTRY OF ORIGIN
Lithuania

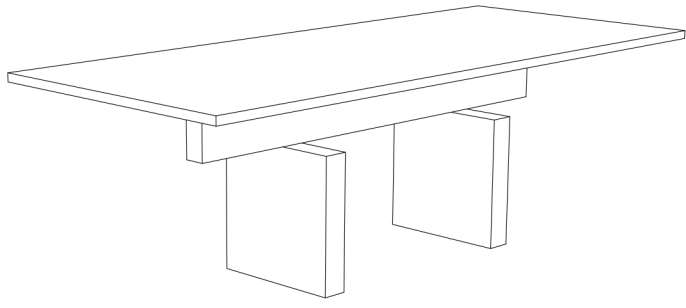
Resident

Plane Dining Table Rectangle Matrix

DESIGNER
Jamie McLellan / 2022

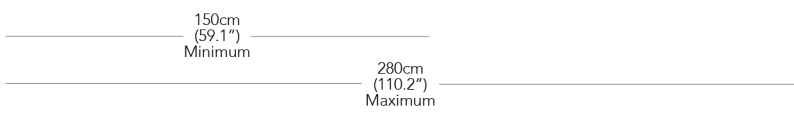
PRODUCT DESCRIPTION
Dining Table

PRODUCT CODE
PLA001N - Plane Dining Table Rectangle, Natural
PLA001U - Plane Dining Table Rectangle, Umber



LENGTH INCREMENTS

150cm	59.1"
160cm	63.0"
170cm	66.9"
180cm	70.9"
190cm	74.8"
200cm	78.7"
210cm	82.7"
220cm	86.6"
230cm	90.6"
240cm	94.5"
250cm	98.4"
260cm	102.4"
270cm	106.3"
280cm	110.2"



WIDTH OPTIONS

90cm	35.4"
100cm	39.4"

